

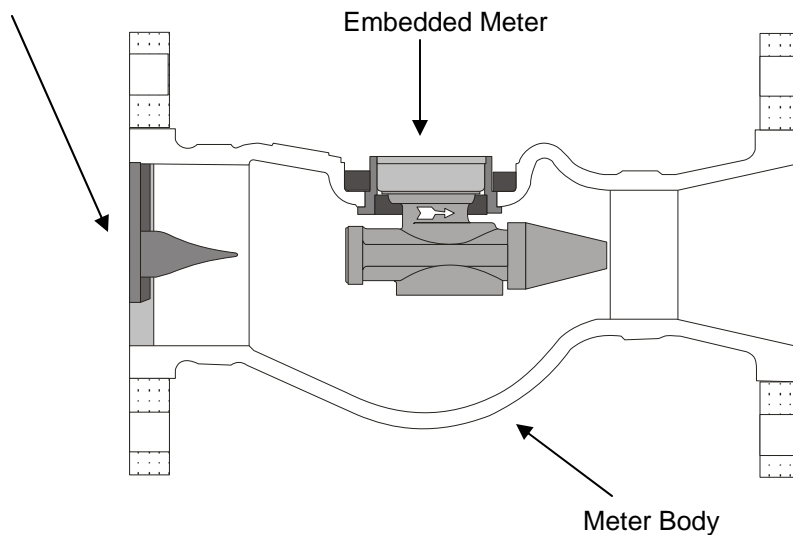
**TECHNICAL
APPLICATION
NOTE**

Metron-Farnier
Advanced Single-Jet Technology

Operation Brief

Metron-Farnier offers the unique Enduro water meters for large commercial and industrial distribution lines. The Enduro meters have an embedded Spectrum single-jet meter inside a larger meter body. This design employs the common and time-tested principle of annular flow (such as a pitot tube). The embedded meter measures the velocity of a portion of the flowstream and the register is calibrated to represent the full flow.

Flow conditioning cone



End-View of Enduro Meter



The unique design of the Enduro meter provides an extremely wide range of flow to be measured with a single element. This meter compares with the pressure drop of a turbine and the flow range and accuracy of a compound.